



INTD0880

Lift Alarm with rechargeable battery



Lift Alarm with
rechargeable battery

INTD0880

- Page 2 Features - Device operation description
- Page 3 System block diagram - Connection diagram
- Page 4 Technical support

For getting the most benefits from this device please
read the user manual carefully.

www.pelekis.tech

Rev. 1.0 Sept 2020



Features:

Working voltage	230VAC
Consumption	0.12W(idle)/2W(Charging).
Battery charger	Isolated CC/CV 4.2V (at 0.1C charge rate).
Internal battery type	3.7V Li-Po 900mAH.
Battery Protections	Battery Overdischarge/Overcharge/Short circuit.
Autonomy estimation (AC Mains fail)	5hours (When button pressed constantly – Worst case scenario).
Device Protections	AC mains overvoltage (Fused), device overtemperature.
Outputs	LED indicator, High output piezoelectric buzzer (+110db/+12VDC/0.18A).
Operating temperature	0-60°C.
Operating humidity	10-80%.
PCB dimensions	160x110x75 mm (W x D x H).
Weight (Total)	410 grams.

- Device operation description:

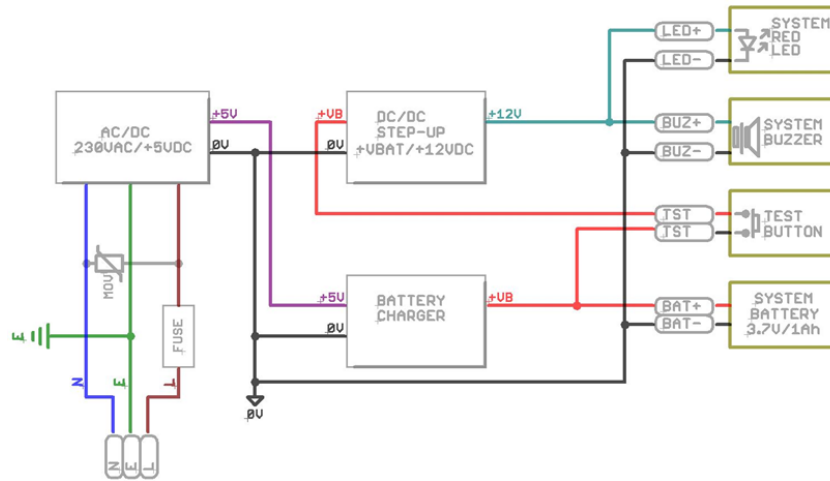
The INTD0880 is a device that charges a Li-Polymer type 3.7V/1Ah battery and at the same can perform buzzer and LED notification when user requests it via a push button press. During normal operation (its input AC mains voltage is present) the battery charger is working using a CV/CC 2-stage method.

At the same time it supervises the user test button, and if pressed by user it makes an audible loud notification (Alarm), though its piezoelectric buzzer.

Also at the same time when the piezoelectric buzzer sounds the on board LED is lit constantly, as an additional visual notification.

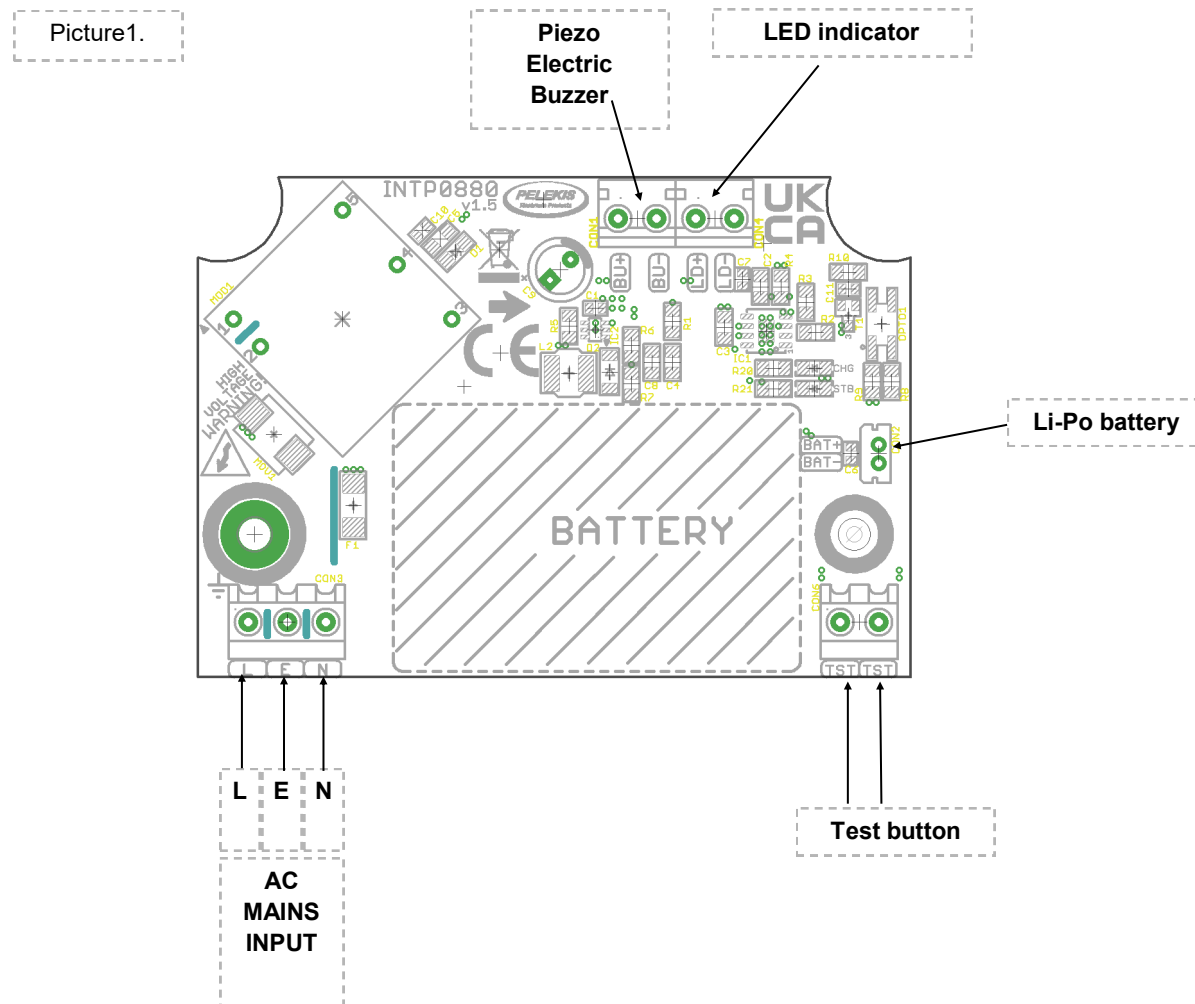
During backup operation (its input AC mains voltage is absent- AC mains power failure), the system continues to work as described before - *except the battery charging function* - for the battery discharge cycle, and until it is low voltage disconnected from the system (Battery drained to a safe level).

- System Block diagram:



- Connection diagram:

A typical system (PCB) connection can be seen in the diagram





- **Technical support**

For technical support please contact a local office of Pelekis Electronics.

Pelekis Electronics Contact Info :

Tel. :+30 210 23 23 345

Fax :+30 210 23 86 382

email: info@pelekis.tech

Web page : www.pelekis.eu